

Tools You will Need



Power Drill

With a 1/8" drill bit (for pilot holes) and a Phillips head bit



Steel Tape Measure

* Cloth tapes are not accurate enough



Pencil or Pen

For marking bracket holes



Level

Crucial for ensuring the shade hangs straight



Screwdriver

Phillips and Flathead



Step Ladder

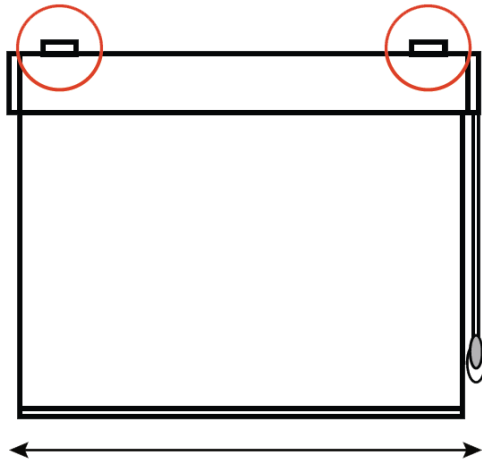
If your windows are tall



Drywall Anchors

If you are not drilling into wood studs

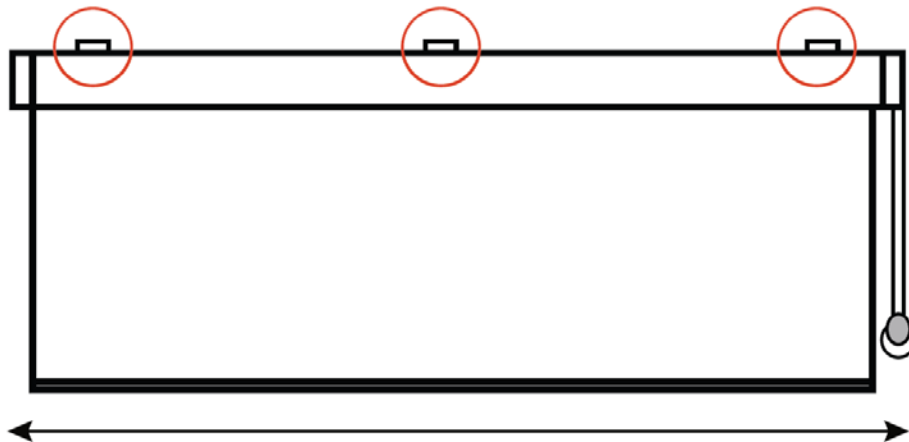
2 BRACKET INSTALLATION



Up to 40 inches width Shades use 2 Brackets.

Shades 40" or narrower include 2 brackets. For optimal support, position brackets 4-5 inches from the side edges of the frame. This ensures the weight is evenly distributed across the Cassette.

3 BRACKET INSTALLATION



Shade widths over 40 inches use 3 Brackets

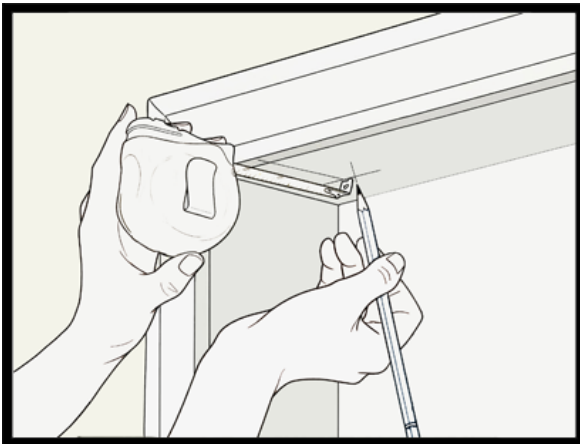
Shades 40" or longer include 3 brackets. For optimal support, position brackets 4-5 inches from the side edges of the frame and the third bracket in the center. This ensures the weight is evenly distributed across the Cassette.

Delta Classic Shades Installation Guide

- a. L Bracket
- b. Screws
- c. Continuous Corded Loop Tensioner

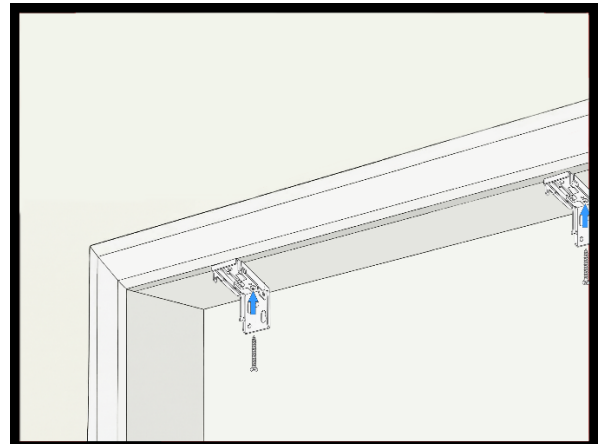


INSIDE MOUNT



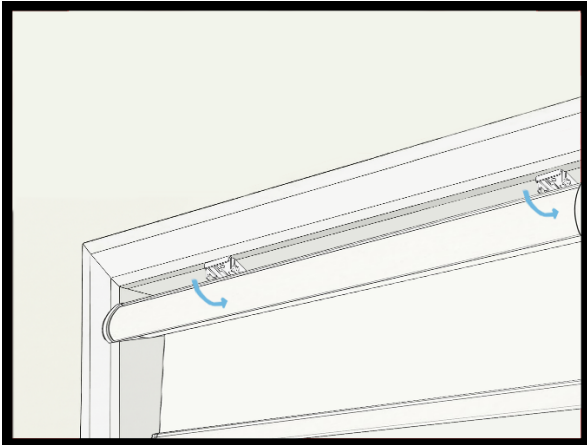
1. Before marking or drilling, dry-fit the brackets and cassette against the mounting surface.

This ensures perfect alignment and a smooth installation.



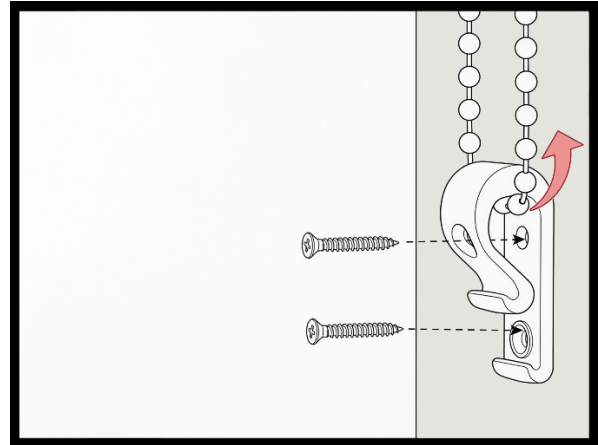
2. Secure the brackets by drilling directly into the top surface of the window frame casing.

Delta Classic Installation Guide



- Hook the front edge of the cassette onto the brackets, then pivot the unit upward until it snaps securely into place.

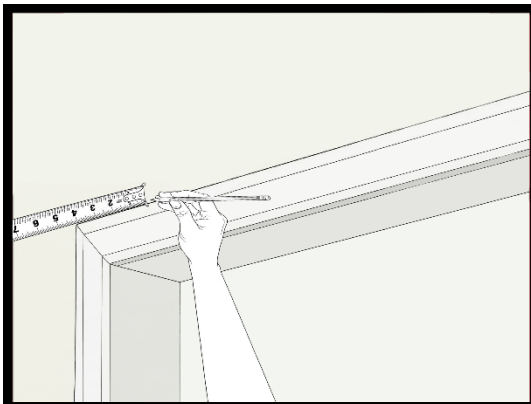
Give the Cassette a gentle tug to verify it is fully locked.



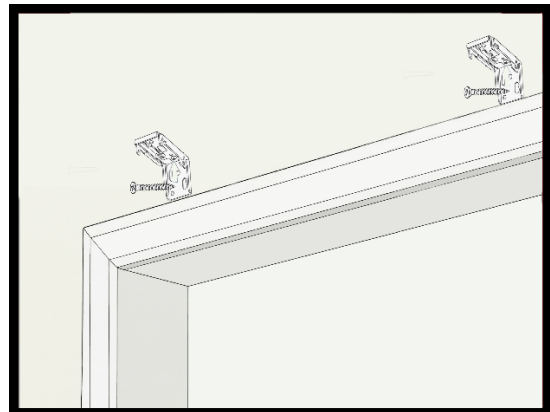
- If you are installing a corded shade, it will include a cord tensioner. Secure the cord tensioner to the wall. The cord should be snug enough to eliminate loops and allow the shade to operate smoothly.

This installation is required to ensure proper mechanical function and to maintain strict child safety compliance.

OUTSIDE MOUNT



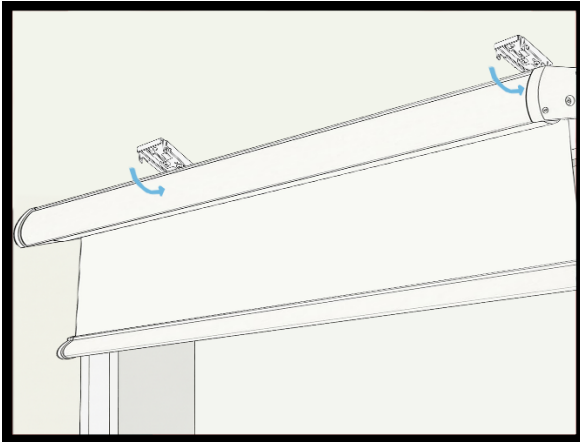
- Before marking or drilling, dry-fit the brackets and cassette against the mounting surface. This ensures perfect alignment and a smooth installation.



- Secure the brackets by drilling directly into the wall surface. Ensure you are drilling into a solid surface or a wall stud for maximum stability.

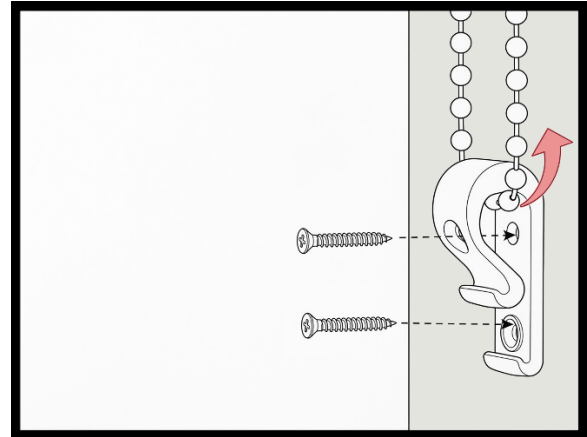
If a stud is not available, you must use heavy-duty metal sheetrock anchors to prevent the brackets from pulling loose.

Delta Classic Installation Guide



3. Hook the front edge of the cassette onto the brackets, then pivot the unit upward until it snaps securely into place.

Give the Cassette a gentle tug to verify it is fully locked.



4. If you are installing a corded shade, it will include a cord tensioner. Secure the cord tensioner to the wall. The cord should be snug enough to eliminate loops and allow the shade to operate smoothly.

This installation is required to ensure proper mechanical function and to maintain strict child safety compliance.